



Features

Easy installation

- Multiple usage by parallel installation
- Low conducted radiation noise by winding the primary or secondary power of leads
- RZR-N (magnetic material) : Ferrite, RZR-N-H (magnetic material) : Nanocrystal

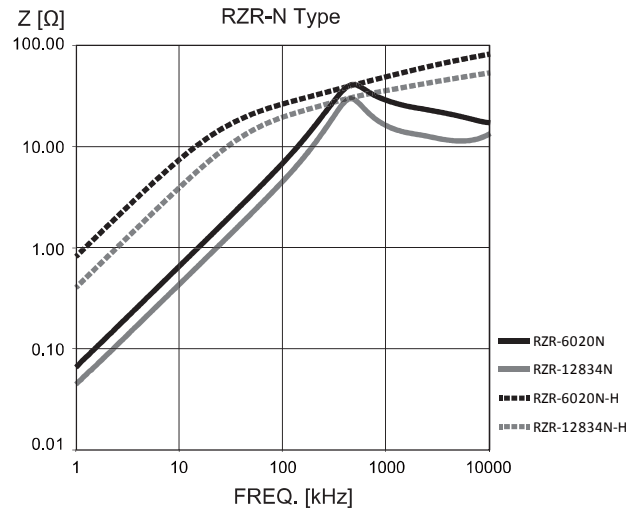
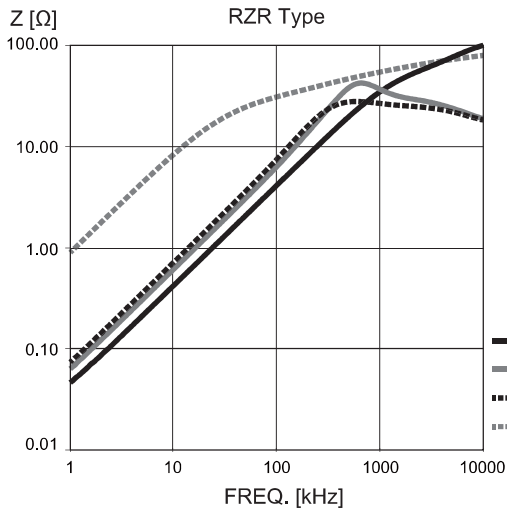


Applications

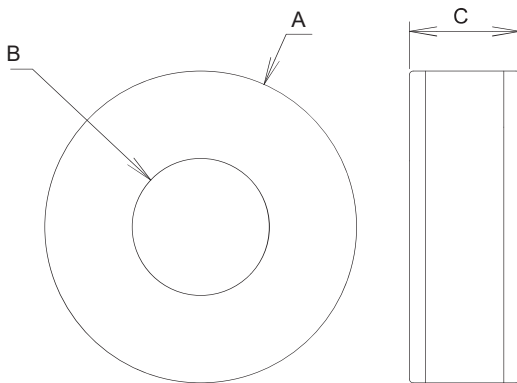
- NC machines, General inverters, UPS, and Industrial equipments.

Characteristic Features

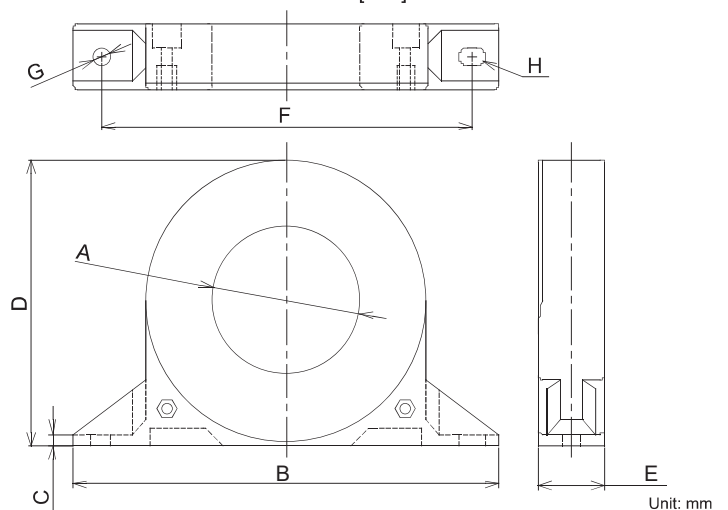
Impedance Frequency Characteristic (1turn)



Dimensions



Unit: mm



Unit: mm

Model Number	Dimensions(mm)			Weight typ.(g)
	A	B	C	
RZR38-3800	φ39.3	φ17.3	13.8	60
RZR38-5500				
RZR38-7000				
RZR38-H				
RZR47-3800	φ50.0	φ24.2	17.5	100
RZR47-5500				
RZR47-7000				
RZR47-H				

Model Number	Dimensions(mm)								Weight typ.(g)
	A	B	C	D	E	F	G	H	
RZR-6020N	φ31.4	110.0	4.5	65.5	25.0	95.0	φ5.5	φ5.5	250
RZR-6020N-H									
RZR-6815N	φ40.0	130.0	4.5	74.0	20.0	110.0	φ6.0	φ6×9	220
RZR-6815N-H									
RZR-9920N	φ56.0	160.0	4.5	108.0	25.0	140.0	φ7.0	φ7×10	570
RZR-9920N-H									
RZR-12834N	φ95.5	190.0	5.0	139.0	39.0	160.0	φ7.0	φ7×10	1,010
RZR-12834N-H									